



"Quality by Design, Satisfaction by Performance"



FEATURES:

- **INTRINSICALLY SAFE DESIGN**
Safe operation in Class I, Division 1, Group A,B,C and D
- **TRUE TWO PUMP OPERATION**
Always monitors both pumps
- **SELF POWERED FOR 3 YEARS**
No external power required
- **LOW VOLTAGE INDICATOR**
Indicates when battery needs replacement
- **LOW VOLTAGE SHUTDOWN**
Eliminates LCD failures due to low battery voltage
- **CRYSTAL CONTROLLED**
Never needs calibration
- **TEST FUNCTION**
Verifies accurate operation
- **STAINLESS-STEEL CASE**
Rugged IP-66 (NEMA 4X) construction

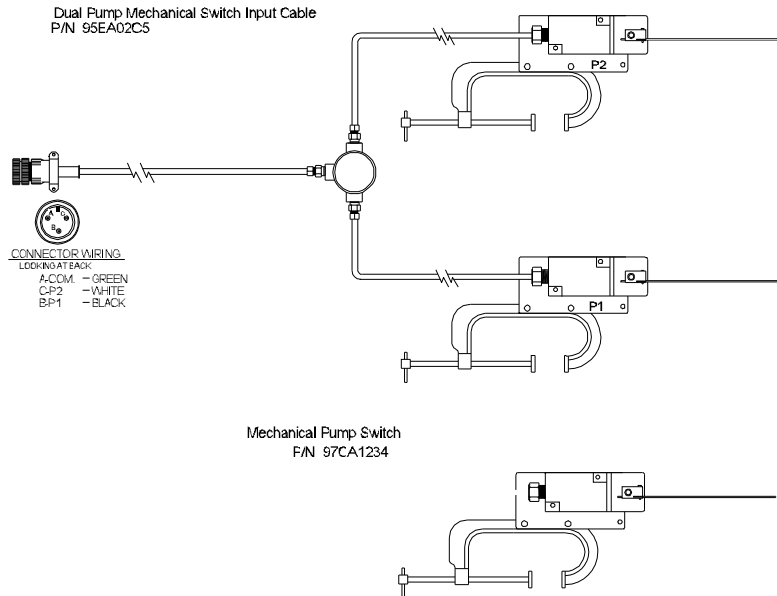
DESCRIPTION:

The Model 1104 Digital Stroke Rate Meter monitors and displays the Rate and Total Strokes of up to two individual pumps simultaneously. The unit continually displays, on large easy to read, low power LCD displays, RPM, TOTAL ACCUMULATED STROKES (0-9999 total strokes) and STROKE RATE (8-350 strokes per minute) for each pump. The unit computes the stroke rate each stroke and updates each stroke rate display every second. SPM is computed each rotation, the RATE display is updated every second. The unit is internally powered by a battery source

having an operational life of 3 years.

The unit is crystal controlled and requires no calibration. It has a low voltage indicator for low battery indication and a unique low-low voltage shutdown, preventing damage to the LCD displays due to extremely low operating voltages. The enclosure is water-proof, IP-66 rated and is of all stainless-steel construction. All labels are etched permanently into the enclosure. The entire package is designed to operate reliably in the harsh environment of high vibration, moisture and constant usage of both land and offshore drilling operations.

TYPICAL SYSTEM



SPECIFICATIONS

- DIMENSIONS:** 8X8X2.5in (HWD)
(20,3x20,3x6,3 cm)
- WEIGHT:** 4.75 Lbs (2,15kg)
- POWER:** 3-year, internal battery
- TEMPERATURE:** -40°F to +180°F
(-40°F to +82°C)
- RANGE:** 8 to 350 Strokes Per Minute
0-9999 Total Strokes

ADDITIONAL INFORMATION

The Digital Stroke Rate Meter System can be supplied in various configurations depending on customer requirements. Packages can be quoted with or without cables and/or junction boxes, depending on the need for an installation that will be permanent or be broken down for moving from site to site. This system can be combined with other Innovative Electronics packages for complete consoles containing both hydraulic and electronic gauges and instruments, including computer systems.

Contact the factory or your local representative for further information.

For Additional Information Contact:

